

ML SINGLE PHASE ALUMINIUM



ML FEATURES

- Aluminium single-phase squirrel cage induction motors
- Voltage 220-240V, 50Hz, Insulation class F, IP55, TEFC IC411
- MY: Normal starting torque (Running capacitor), MA = 60-70%
- ML: High starting torque (Starting and Running capacitor and Centrifugal switch), MA ≥ 180%
- Colour RAL 7024

ML EIGENSCHAFTEN

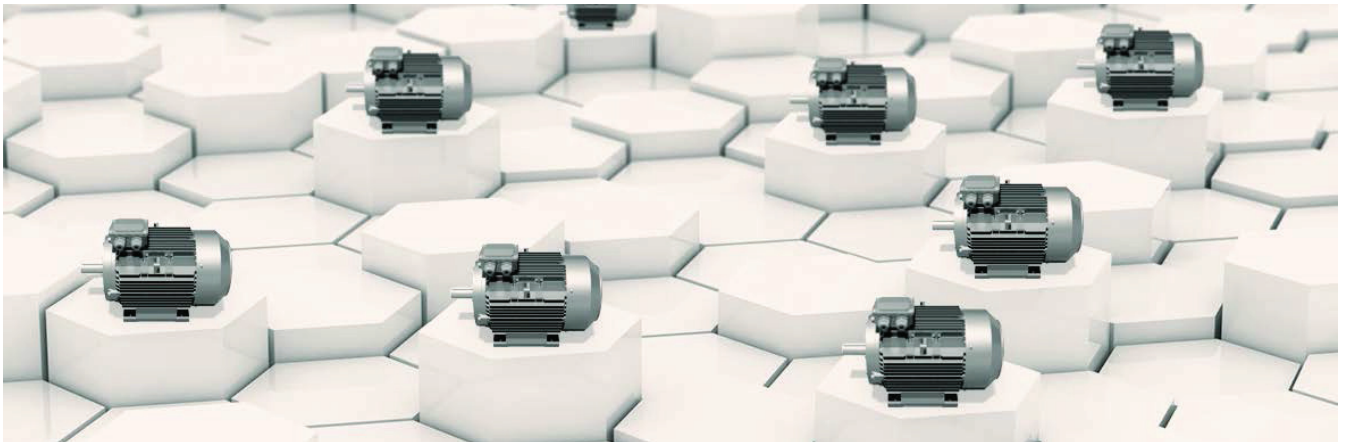
- Aluminium 1-Phasen Käfigläufer-Induktionsmotor
- Spannung: 220-240V, 50Hz, Isolationsklasse F, IP55, TEFC IC411
- MY: normales Anlaufdrehmoment (Betriebskondensator), MA=60-70%
- ML: erhöhtes Anlaufdrehmoment (Start- und Betriebskondensator und Fliehkraftschalter), MA≥180%
- Farbe: RAL 7024

ML 2-POLE | 3000 RPM

| Frame Size | Rated Power | Current | Rated speed | Power factor | Efficiency | Locked Current | Locked Torque | Max. Torque | Run Capacitor | Start Capacitor | Weight | Moment of inertia |
|------------|----------------------|---------------------|-------------------------|--------------|------------|--------------------------------|--------------------------------|--------------------------------|---------------|-----------------|--------|---|
| | | 230V | | | η (%) | Rated Current | Rated Torque | Rated Torque | | | | |
| | P _N kW | I _N A | H _N r/min | COSφ | 100 | I _s /I _N | M _s /M _N | M _M /M _N | (μf/V) | (μf/V) | kg | J=1/4 GD ² kgm ² |
| 631-2 | 0,18 | 1,36 | 2820 | 0,93 | 62 | 7 | 1,9 | 1,8 | 8MF/450V | 30MF/250V | 3,9 | 0,0001412 |
| 632-2 | 0,25 | 1,71 | 2800 | 0,94 | 67,5 | 8 | 2,3 | 1,8 | 10MF/450V | 30MF/250V | 4,4 | 0,0001682 |
| 711-2 | 0,37 | 2,4 | 2780 | 0,95 | 70,5 | 12 | 2,5 | 1,6 | 12MF/450V | 40MF/250V | 6,1 | 0,0003304 |
| 712-2 | 0,55 | 3,31 | 2790 | 0,97 | 74,5 | 20 | 2,5 | 1,8 | 16MF/450V | 50MF/250V | 7 | 0,0004368 |
| 801-2 | 0,75 | 4,25 | 2840 | 0,99 | 77,5 | 30 | 2,5 | 1,8 | 20MF/450V | 75MF/250V | 9 | 0,0007807 |
| 802-2 | 1,1 | 6,08 | 2850 | 0,99 | 79,5 | 40 | 2,3 | 1,8 | 30MF/450V | 120MF/250V | 10,3 | 0,0009378 |
| 90S-2 | 1,5 | 8,23 | 2860 | 0,99 | 80 | 56 | 2,5 | 1,8 | 40MF/450V | 200MF/300V | 13,8 | 0,0015116 |
| 90M-2 | 1,8 | 9,76 | 2860 | 0,99 | 81 | 65 | 2,5 | 1,8 | 40MF/450V | 200MF/300V | 15,1 | 0,0017522 |
| 90L-2 | 2,2 | 11,93 | 2850 | 0,99 | 81 | 15 | 2,5 | 1,75 | 50MF/450V | 250MF/300V | 16,8 | 0,0019948 |
| 100L-2 | 3 | 17,75 | 2830 | 0,98 | 75 | 110 | 2,5 | 1,63 | 60MF/450V | 300MF/300V | 25 | 0,0048027 |
| 112M1-2 | 3,7 | 19,9 | 2900 | 0,98 | 82,5 | 155 | 2,5 | 1,8 | 60MF/450V | 400MF/300V | 33 | 0,0071696 |
| 112M2-2 | 4 | 21,25 | 2900 | 0,98 | 83,5 | 165 | 2,5 | 1,8 | 60MF/450V | 400MF/300V | 33,8 | 0,0074531 |

ML 4-POLE | 1500 RPM

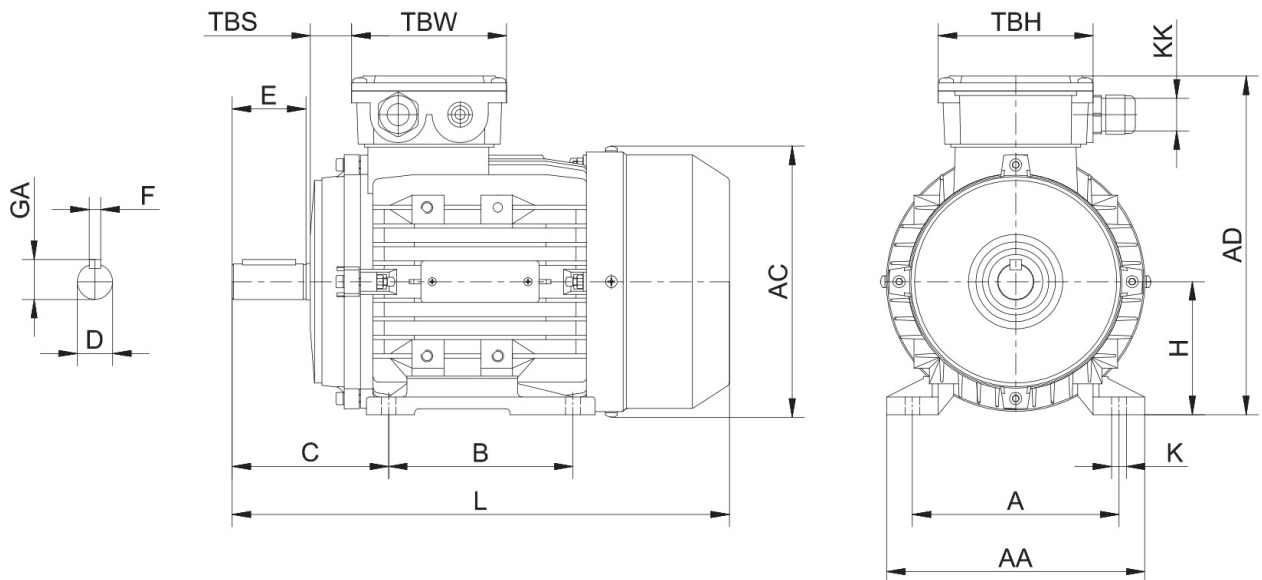
| Frame Size | Rated Power | Current | Rated speed | Power factor | Efficiency | Locked Current | Locked Torque | Max. Torque | Run Capacitor | Start Capacitor | Weight | Moment of inertia |
|------------|----------------------|---------------------|-------------------------|--------------|------------|--------------------------------|--------------------------------|--------------------------------|---------------|-----------------|--------|---|
| | | 230V | | | η (%) | Rated Current | Rated Torque | Rated Torque | | | | |
| | P _N kW | I _N A | H _N r/min | COSφ | 100 | I _s /I _N | M _s /M _N | M _M /M _N | (μf/V) | (μf/V) | kg | J=1/4 GD ² kgm ² |
| 631-4 | 0,12 | 1,01 | 1380 | 0,95 | 54,5 | 6 | 2,5 | 1,65 | 8MF/450V | 30MF/250V | 4,1 | 0,0002914 |
| 632-4 | 0,18 | 1,36 | 1340 | 0,96 | 60 | 6 | 2,3 | 1,43 | 10MF/450V | 30MF/250V | 4,5 | 0,0003401 |
| 711-4 | 0,25 | 1,78 | 1415 | 0,97 | 63 | 10 | 2,5 | 1,7 | 12MF/450V | 40MF/250V | 5,9 | 0,0005983 |
| 712-4 | 0,37 | 2,53 | 1410 | 0,97 | 65,5 | 15 | 2,3 | 1,6 | 16MF/450V | 50MF/250V | 6,9 | 0,00076 |
| 800-4 | 0,37 | 2,52 | 1420 | 0,96 | 66,5 | 15 | 2,5 | 1,8 | 16MF/450V | 50MF/250V | 8,5 | 0,0011048 |
| 801-4 | 0,55 | 3,52 | 1420 | 0,95 | 71,5 | 20 | 2,5 | 1,8 | 20MF/450V | 75MF/250V | 9,6 | 0,0013805 |
| 802-4 | 0,75 | 4,56 | 1420 | 0,98 | 73 | 27 | 2,5 | 1,75 | 25MF/450V | 100MF/250V | 10,9 | 0,0016562 |
| 90S-4 | 1,1 | 6,62 | 1420 | 0,95 | 76 | 40 | 2,5 | 1,7 | 35MF/450V | 150MF/250V | 13,8 | 0,0025103 |
| 90L-4 | 1,5 | 8,56 | 1420 | 0,97 | 78,5 | 55 | 2,5 | 1,75 | 40MF/450V | 200MF/300V | 16,7 | 0,0032524 |
| 100L0-4 | 1,84 | 10,27 | 1440 | 0,98 | 79,5 | 60 | 2,3 | 1,62 | 50MF/450V | 200MF/300V | 21 | 0,0068038 |
| 100L1-4 | 2,2 | 12,12 | 1440 | 0,98 | 80,5 | 80 | 2,5 | 1,65 | 50MF/450V | 250MF/300V | 22,8 | 0,0080447 |
| 100L2-4 | 3 | 16,37 | 1445 | 0,96 | 83 | 110 | 2,4 | 1,75 | 60MF/450V | 300MF/300V | 28,7 | 0,010543 |
| 112M1-4 | 3,7 | 19,66 | 1430 | 0,98 | 83,5 | 130 | 2,4 | 1,75 | 60MF/450V | 400MF/300V | 31 | 0,0136076 |
| 112M2-4 | 4 | 21,25 | 1435 | 0,98 | 83,5 | 140 | 2,5 | 1,75 | 60MF/450V | 400MF/300V | 32,8 | 0,0144851 |



ML 4-POLE | 1500 RPM

| Frame Size | Rated Power | Cur- rent | Rated speed | Power factor | Effi- ciency | Locked Current | Locked Torque | Max. Torque | Run Capacitor | Start Capacitor | Weight | Moment of inertia |
|------------|----------------------|---------------------|-------------------------|--------------|-----------------|--------------------------------|--------------------------------|--------------------------------|---------------|-----------------|--------|---|
| | | 230V | | | η (%) | Rated Current | Rated Torque | Rated Torque | | | | |
| | P _N kW | I _N A | H _N r/min | COS ϕ | 100 | I _s /I _N | M _s /M _N | M _M /M _N | (μ f/V) | (μ f/V) | kg | J=1/4 GD ² kgm ² |
| 711-6 | 0,18 | 1,34 | 930 | 0,97 | 60 | 7 | 2,3 | 1,72 | 10MF/450V | 40MF/250V | 6,2 | 0,0009655 |
| 801-6 | 0,37 | 2,48 | 935 | 0,97 | 67 | 13 | 2,2 | 1,55 | 16MF/450V | 50MF/250V | 10,1 | 0,0018289 |
| 802-6 | 0,55 | 3,47 | 935 | 0,97 | 71 | 20 | 2,2 | 1,45 | 20MF/450V | 75MF/250V | 10,8 | 0,0023661 |
| 90S-6 | 0,75 | 4,73 | 945 | 0,97 | 71 | 35 | 2,1 | 1,45 | 30MF/450V | 150MF/250V | 13,7 | 0,0035336 |
| 90L-6 | 1,1 | 6,73 | 945 | 0,96 | 74 | 45 | 2,5 | 1,45 | 45MF/450V | 200MF/300V | 17,3 | 0,0047916 |
| 100L-6 | 1,5 | 8,73 | 960 | 0,97 | 77 | 60 | 2,3 | 1,55 | 45MF/450V | 200MF/300V | 23,74 | 0,0107842 |
| 112M-6 | 2,2 | 12,03 | 965 | 0,97 | 82 | 100 | 2,5 | 1,7 | 60MF/450V | 400MF/300V | 31,2 | 0,0195227 |
| 112M2-4 | 4 | 21,25 | 1435 | 0,98 | 83,5 | 140 | 2,5 | 1,75 | 60MF/450V | 400MF/300V | 32,8 | 0,0144851 |

ML DRAWING



ML DIMENSIONS

| Frame | H | A | B | C | D | K | E | AA | AD | AC | L | KK | TBS | TBW | TBH |
|---------|-----|-----|-----|----|-------|---------|----|-----|-----|-----|---------|-----------|-----|-----|-----|
| 56 | 56 | 90 | 71 | 36 | ∅11J6 | 5.8X8.8 | 20 | 110 | 156 | 100 | 196 | 1-M16X1.5 | 14 | 88 | 88 |
| 63 | 63 | 100 | 80 | 40 | ∅14J6 | 7X10 | 23 | 120 | 171 | 108 | 220 | 1-M16X1.5 | 14 | 94 | 94 |
| 71 | 71 | 112 | 90 | 45 | ∅19J6 | 7X10 | 30 | 132 | 186 | 115 | 241 | 1-M20X1.5 | 20 | 94 | 94 |
| 80 | 80 | 125 | 100 | 50 | ∅24J6 | 10X13 | 40 | 160 | 213 | 133 | 290 | 1-M20X1.5 | 27 | 105 | 105 |
| 90S | 90 | 140 | 100 | 56 | ∅24J6 | 10X13 | 50 | 175 | 229 | 139 | 312 | 1-M20X1.5 | 30 | 105 | 105 |
| 90L1/L2 | 90 | 140 | 125 | 56 | ∅28J6 | 10X13 | 50 | 175 | 229 | 139 | 337/367 | 1-M20X1.5 | 30 | 105 | 105 |
| 100 | 100 | 160 | 140 | 63 | ∅28J6 | 12X15 | 60 | 198 | 252 | 152 | 369 | 2-M20X1.5 | 26 | 105 | 105 |